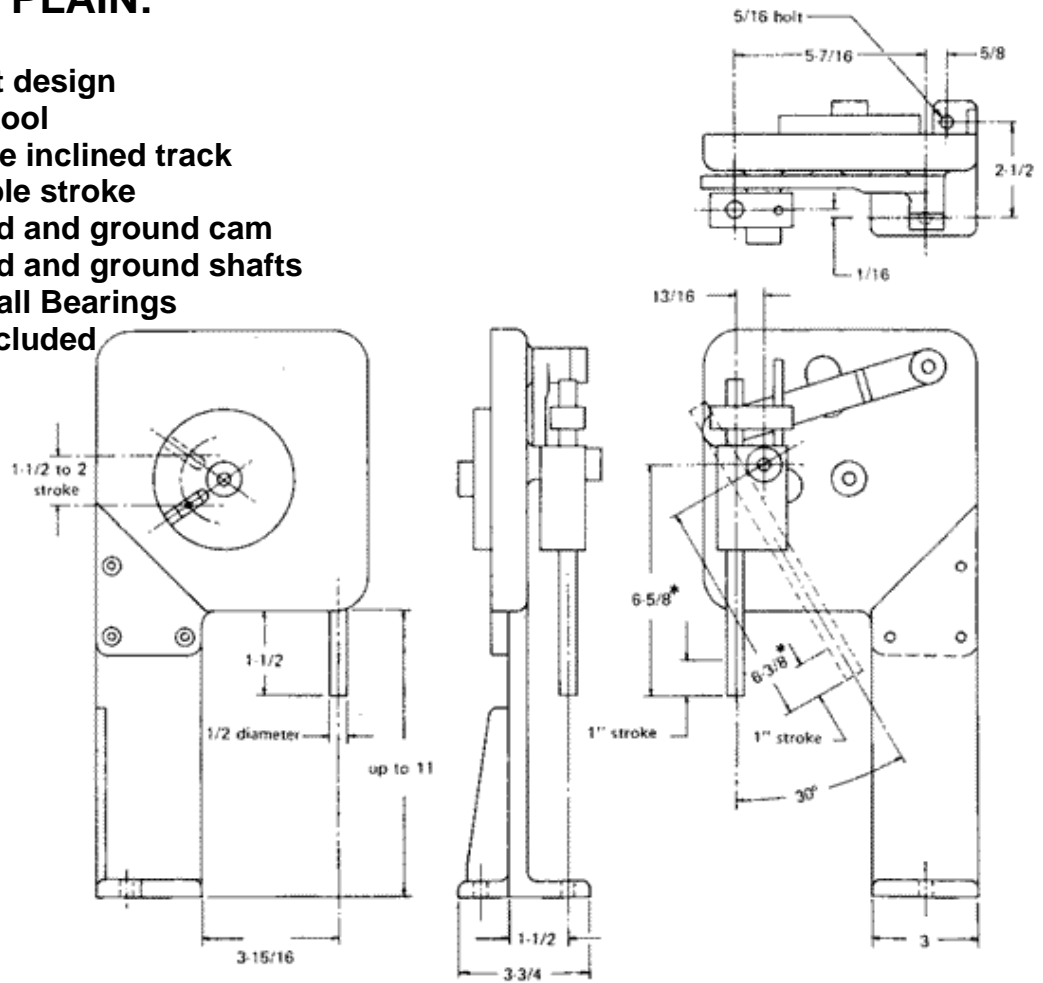


# WESTLUND PICK AND PLACE

## FLOOR PLAIN:

- Compact design
- Easy to tool
- 30 degree inclined track
- Adjustable stroke
- Hardened and ground cam
- Hardened and ground shafts
- Linear Ball Bearings
- Stand included



\*For reference only, to indicate 1/4" difference at the end of 1" stroke in the two positions.

The Westlund Pick and Place is operated by a simple up and down motion. This motion can be supplied by a Westlund base, cam, air cylinder or a motorized drive.

The length of strokes may be altered by adjusting the operating rod.

Many customers find it economical and convenient to have Westlund Engineering design and build the pick-up tool to their parts and specifications.

At your request, a company representative will analyze your application and recommend the proper equipment

## WESTLUND

ENGINEERING INC.

12400 44<sup>TH</sup> STREET NORTH, CLEARWATER, FL 33762 P 727.572.4343 F 727.572.6811  
WEBSITE: WWW.WESTLUNDENG.COM EMAIL: WESTLUND@WESTLUNDENG.COM